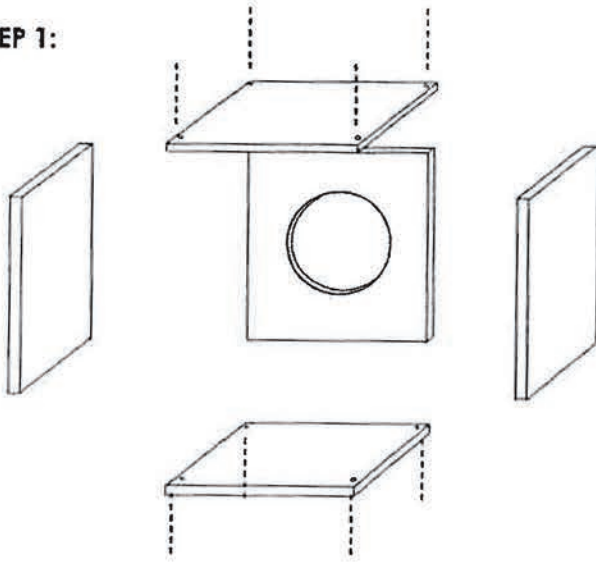
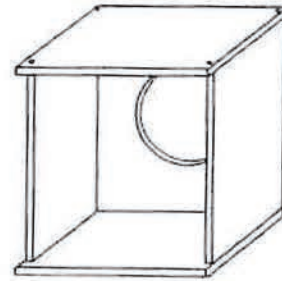


# ASSEMBLY INSTRUCTIONS ISSOLATION-BOX

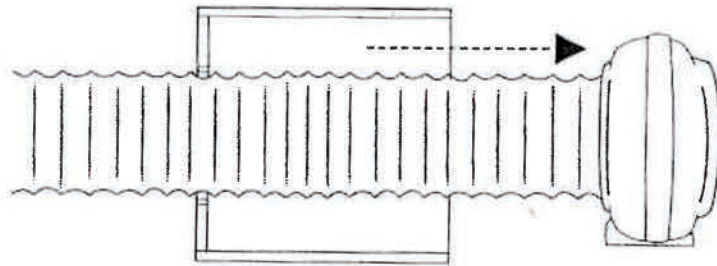
STEP 1:



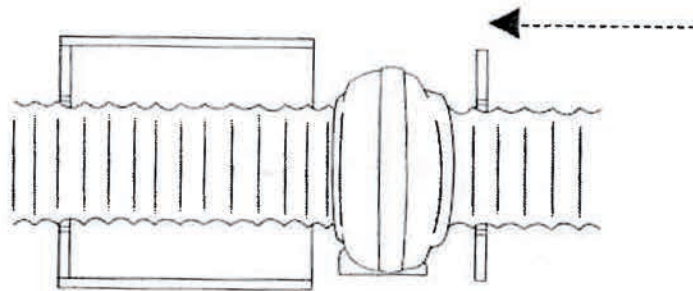
STEP 2:



STEP 3:



STEP 4:



STEP 5:

